



**ECCOTEMP**  
THE FUTURE OF EFFICIENCY

# CEL10



# CEL10 PORTABLE OUTDOOR TANKLESS WATER HEATER

PHONE: 866-356-1992 | EMAIL: [SUPPORT@ECCOTEMP.COM](mailto:SUPPORT@ECCOTEMP.COM)

[SUPPORT: ECCOTEMP.COM/HELP-DESK](http://SUPPORT.ECCOTEMP.COM/HELP-DESK) [SHOP ONLINE: EJ.ECCOTEMP.COM/PRODUCTS](http://SHOP.ONLINE.EJ.ECCOTEMP.COM/PRODUCTS) [STORE LOCATOR: ECCOTEMP.COM/LOCATOR](http://STORE.LOCATOR.ECCOTEMP.COM/LOCATOR)

[ECCOTEMP.COM](http://ECCOTEMP.COM)




**OUTDOOR GAS WATER HEATER**  
**MODEL: CEL10**


Country of Destination	BE, FR, GB, GR, IE IT, PT, ES, CH	CY, CZ, DK, EE, FI, LT MT, NL, NO, SK, SI, SE HU, BG, LV, LU, RO	DE, AT, CH, SK
Appliance Categories	I 3+	I 3B/P	I 3B/P
Type of Gas	G30/G31	G30	G30
Supply Pressure (mbar)	28-30/37	30	50
Min Gas Pressure (mbar)	20	20	42
Max Gas Pressure (mbar)	35	35	57
Supply Pressure (mbar)	28-30/37	30	50
Injector Size (mm)	0.60	0.60	0.50
Applicable Water Pressure (mpa)	0.025-0.1		
Heat Input (Hs)	16 (kW)		

 Gas Pressure 
**WARNING**

- Read this instruction before use.
- For outdoor use only.
- Warning: Accessible parts may be very hot. Keep young children away.
- Never move it during operation. Wait for about 7 minutes after extinguished the flame before moving it.
- Check the gas type before you connect it to the water heater. Improper gas will cause serious danger.
- This heater is not to be used in wind speeds above 10kph. The heater will extinguish at its wind speed above 10kph. This feature is governed by the safety feature fitted to the appliance.
- This appliance must not be used in enclosed areas, for example under awnings or tents.
- The appliance must be hung correctly before use. Never use the appliance placed on the ground.
- This appliance must be installed in accordance with any national situation in force in the country of use.
- This appliance should be sited in an open area using, a natural surround features to protect it from direct winds.

 Ecotemp Systems, LLC  
 Add: 315-A Industrial Road, Summerville, SC 29483 USA

MADE IN CHINA


**AUSSEN MONTIERTER GAS-DURCHLAUFERHITZER**  
**MODELL: CEL10**


Bestimmungsland	BE, FR, GB, GR, IE IT, PT, ES, CH	CY, CZ, DK, EE, FI, LT MT, NL, NO, SK, SI, SE HU, BG, LV, LU, RO	DE, AT, CH, SK
Geräte kategorien	I 3+	I 3B/P	I 3B/P
Gasart	G30/G31	G30	G30
Gasdruck-Zufuhr (mbar)	28-30/37	30	50
Gasdruckminimum (mbar)	20	20	42
Gasdruckmaximum (mbar)	35	35	57
Gasdruck-Zufuhr (mbar)	28-30/37	30	50
Injektorgroße (mm)	0.60	0.60	0.50
Anwendbarer Wasserdruck (mPa)	0.025-0.1		
Wärmezufuhr	16 (kW)		

 Gasdruck 
**WARNUNG**

- Lesen Sie die Anleitungen vor der Inbetriebnahme.
- Nur für den Außenbereich.
- Warnung: Die zugänglichen Teile können sehr heiß werden. Kinder fernhalten!
- Bei Betrieb nicht versetzen. Warten Sie etwa 7 Minuten nach dem Verlöschen der Flamme bis Sie den Erhitzer versetzen.
- Prüfen Sie die Gasart vor dem Anschluss des Erhitzers; durch unzulässiges Gas entsteht große Gefahr.
- Dieser Erhitzer bei Windgeschwindigkeiten von über 10km/h nicht verwenden. Bei Windgeschwindigkeiten von über 10km/h, wird die Flamme des Erhitzers verlöschen. Diese Sicherheitsfunktion ist im Gerät eingebaut.
- Das Gerät darf nicht in geschlossenen Räumen/Bereichen eingesetzt werden, wie zum Beispiel unter Markisen oder Zelten.
- Das Gerät muss vor der Inbetriebnahme sachgemäss aufgehängt werden. Niemals das Gerät auf dem Boden stehend einsetzen.
- Dieses Gerät muss gemäß den nationalen Bestimmungen des jeweiligen Landes der Inbetriebnahme installiert werden.
- Dieses Gerät sollte im offenen Bereich eingesetzt werden in einem natürlichen, vor direkten Winden geschützten Umfeld.

 Ecotemp Systems, LLC  
 315-A Industrial Road, Summerville, SC 29483 USA

**CHAUFFE-EAU À GAS DE PLEIN AIR**  
**MODÈLE: CEL10**


Pays de destination	BE, FR, GB, GR, IE IT, PT, ES, CH	CY, CZ, DK, EE, FI, LT MT, NL, NO, SK, SI, SE HU, BG, LV, LU, RO	DE, AT, CH, SK
Catégories d'appareils	I 3+	I 3B/P	I 3B/P
Type de gaz	G30/G31	G30	G30
Pression d'alimentation (mbar)	28-30/37	30	50
Pression du gaz min (mbar)	20	20	42
Pression du gaz max (mbar)	35	35	57
Pression d'alimentation (mbar)	28-30/37	30	50
Dimensions de l'injecteur (mm)	0.60	0.60	0.50
Pression d'eau applicable (mpa)	0.025-0.1		
Apport de chaleur (Hs)	16 (kW)		

 Pression du gaz 
**AVERTISSEMENT**

- Lisez ces instructions avant utilisation.
- Pour usage extérieur seulement.
- Attention: les parties accessibles peuvent être très chaudes. Éloignez des jeunes enfants.
- Ne jamais déplacer pendant le fonctionnement. Attendez pendant environ 7 minutes après extinction de la flamme avant de le déplacer.
- Vérifiez le type de gaz avant de le brancher au chauffe-eau, du gaz incorrect peut causer un grave danger.
- Cet appareil de chauffage ne doit pas être utilisé sous des vitesses de vent supérieures à 10km/h.
- Le chauffe-eau va s'éteindre dans une vitesse de vent au-dessus de 10km/h. Cette fonction est réglée par le dispositif de sécurité monté sur l'appareil.
- Cet appareil ne doit pas être utilisé dans des espaces clos, par exemple sous des auvents ou des tentes.
- Cet appareil doit être accroché correctement avant l'utilisation. Ne jamais utiliser l'appareil placé sur le terrain.
- Cet appareil doit être installé conformément à toutes les réglementations nationales en vigueur dans le pays d'utilisation.
- Cet appareil doit être installé dans une zone ouverte, dans des caractéristiques naturelles le protégeant des vents directs.

 Systèmes Ecotemp, LLC  
 Add: 315-A Industrial Road, Summerville, SC 29483 USA

FABRIQUÉ EN CHINE


**GAS GEISER**  
**MODEL: CEL10**


Land van bestemming	BE, FR, GB, GR, IE IT, PT, ES, CH	CY, CZ, DK, EE, FI, LT MT, NL, NO, SK, SI, SE HU, BG, LV, LU, RO	DE, AT, CH, SK
Categorieën apparatuur	I 3+	I 3B/P	I 3B/P
Gas type	G30/G31	G30	G30
Toevoerdruk (mbar)	28-30/37	30	50
Min gasdruk (mbar)	20	20	42
Max gasdruk (mbar)	35	35	57
Toevoerdruk (mbar)	28-30/37	30	50
Injectorgroote (mm)	0.60	0.60	0.50
Nominale waterdruk (mPa)	0.025-0.1		
Warmtevoevoer (Hs)	16 (kW)		

 Gasdruk 
**WAARSCHUWING**

- Deze instructies doorlezen vóór gebruik.
- Alleen voor gebruik buiten.
- Waarschuwing: uitstekende delen kunnen zeer heet worden. Houd jonge kinderen op afstand.
- Nooit verplaatsen tijdens gebruik. Wacht na het doven van de vlam minstens 7 minuten alvorens het systeem te verplaatsen.
- Controleer het gastype voordat u het gas op de geiser aansluit. Gebruik van het verkeerde type gas kan zeer gevaarlijk zijn.
- Deze geiser mag niet gebruikt worden bij windsnelheden boven 10 km/u. Dit is een ingebouwd veiligheidsfunctie.
- Dit apparaat mag niet in afgesloten ruimtes zoals onder luifels of in tenten gebruikt worden.
- Dit apparaat moet vóór gebruik op de juiste manier zijn opgehangen. Gebruik het apparaat nooit terwijl het op de grond staat.
- Dit apparaat moet volgens de plaatselijke normen in het land van gebruik worden geïnstalleerd.
- Dit apparaat dient in een open ruimte geplaatst te worden, beschermd tegen wind.

 Ecotemp Systems, LLC  
 315-A Industrial Road, Summerville, SC 29483 USA


# IMPORTANT SAFETY INFORMATION READ ALL INSTRUCTIONS BEFORE USING

Be sure to read and understand the entire Use and Care Manual before attempting to install or operate this water heater. It may save you time and money. Pay particular attention to the Safety Instructions. Failure to follow these warnings could result in serious bodily injury or death. Should you have problems understanding the instructions in this manual, or have any questions, STOP, and get help from a qualified service technician, or the local gas utility.

## **⚠ DANGER!** PROPERLY INSTALL WATER HEATER



Failure to properly install the water heater outdoors as outlined in the Installation

Instructions in this manual can result in unsafe operation of the water heater. To avoid the risk of fire, explosion, or asphyxiation from carbon monoxide, never operate this water heater unless it is installed properly and has an adequate air supply for proper operation. Be sure to inspect the flue terminal for proper installation at initial start-up; and at least annually thereafter. Refer to the Care and Cleaning section of this manual for more information regarding flue terminal inspection.

## **⚠ WARNING!**



Gasoline, as well as other flammable materials and liquids (adhesives, solvents, paint thinners etc.), and the vapors they produce are extremely dangerous. DO NOT handle, use or store gasoline or other flammable or combustible materials any where near or in the vicinity of a water heater or any other appliance. Be sure to read and follow the labels on the water heater, as well as the warnings printed in this manual. Failure to do so can result in property damage, bodily injury or death.

**⚠ DANGER**

<p><b>⚠ Vapors from flammable liquids will explode and catch fire causing death or severe burns.</b></p> <p>Do not use or store flammable products such as gasoline, solvents or adhesives in the same room or area near the water heater.</p> <p>Keep flammable products :</p> <ol style="list-style-type: none"> <li>1. Far away from heater</li> <li>2. In approved containers</li> <li>3. Tightly closed</li> <li>4. Out of children's reach</li> </ol>	<p>Water heater has a main burner flame. The main burner flame</p> <ol style="list-style-type: none"> <li>1. Can come on at any time and</li> <li>2. Will ignite flammable vapors.</li> </ol> <p>Vapors:</p> <ol style="list-style-type: none"> <li>1. Cannot be seen</li> <li>2. Are heavier than air</li> <li>3. Go a long way on the floor</li> <li>4. Can be carried from other rooms to the main burner flame by air currents.</li> </ol>
<p><b>Installation:</b></p> <p>Do not install water heater where flammable products will be stored or used unless the main burner flame is at least 18" above the floor. This will reduce, but not eliminate, the risk of vapors being ignited by the main burner flame.</p>	
<p>Read and follow water heater warnings and Instructions. If owners manual is missing, contact the retailer or manufacturer.</p>	

PLEASE NOTE: THIS MODEL IS NOT RECOMMENDED NOR HAS IT BEEN TESTED FOR ANY PERMANENT INSTALLATIONS. THIS MODEL IS PART OF OUR PORTABLE SERIES AND NEEDS TO BE TAKEN DOWN AND STORED IN A WARM DRY PLACE AFTER EVERY USE. THIS MANUAL AND ALL ECCOTEMP CONTENT IS SUBJECT TO CHANGE WITHOUT NOTICE.



## Congratulations!

You've just purchased a new Eccotemp L10 portable tankless water heater. This will open a world of enjoyment to going tankless.

We highly suggest you take the time to read through all of the safety and installation procedures in this manual, before attempting to install your new water heater.

Should you have any questions, please feel free to visit our helpdesk located at [gb.eccotemp.com](http://gb.eccotemp.com) for further information.

General Safety .....	1-6
Construction & Parts .....	8
Getting Started .....	9
Use and Starting .....	10-11
Troubleshooting Guide .....	12-13
Technical Support .....	14



## FOR YOUR RECORDS

Write the model and serial numbers here:

# \_\_\_\_\_

# \_\_\_\_\_

You can find them on a label on the appliance and/or packaging.

Staple sales slip or canceled check here.

Proof of the original purchase date is needed to obtain service under the warranty.



## READ THIS MANUAL

Inside you will find many helpful hints on how to use and maintain your water heater properly. A little preventive care on your part can save you time and money over the life of your water heater. You'll find many answers to common problems in the Troubleshooting Guide. If you review the chart of Troubleshooting Tips first you may not need to call for service.



## READ THE SAFETY INFORMATION

Your safety and the safety of others are very important. There are many important safety messages in this manual and on your appliance. Always read and obey all safety messages.

This is the safety alert symbol. Recognize this symbol as an indication of Important Safety Information! This symbol alerts you to potential hazards that can kill or hurt you and others.

All safety messages will follow the safety alert symbol and the words: "DANGER", "WARNING", "CAUTION" or "NOTICE".

These words mean:

- DANGER** - An imminently hazardous situation that will result in death or serious injury.
- WARNING** - A potentially hazardous situation that could result in death or serious injury and/or damage to property.
- CAUTION** - A potentially hazardous situation that may result in minor or moderate injury.
- NOTICE**: Attention is called to observe a specified procedure or maintain a specific condition.

PLEASE NOTE: THIS MODEL IS NOT RECOMMENDED NOR HAS IT BEEN TESTED FOR ANY PERMANENT INSTALLATIONS. THIS MODEL IS PART OF OUR PORTABLE SERIES AND NEEDS TO BE TAKEN DOWN AND STORED IN A WARM DRY PLACE AFTER EVERY USE. THIS MANUAL AND ALL ECCOTEMP CONTENT IS SUBJECT TO CHANGE WITHOUT NOTICE.





## **⚠ DANGER!**

### **NATURAL GAS AND LIQUEFIED PETROLEUM MODELS**

Both LP and natural gas have an odorant added to aid in detecting a gas leak. Some people may not physically be able to smell or recognize this odorant. If you are unsure or unfamiliar with the smell of LP or natural gas, ask the gas supplier. Other conditions, such as "odorant fade," which causes the odorant to diminish in intensity, can also hide or camouflage a gas leak. Always check with commercial leak detector or soapy water.

**Gas detectors are recommended in LP and natural gas applications and their installation should be in accordance with the detector manufacturer's recommendations and/or local laws, rules, regulations or customs.**

- Water heaters utilizing LP gas are different from natural gas models. A natural gas water heater will not function safely on LP gas and vice versa.
- No attempt should ever be made to convert the water heater from natural gas to LP gas. To avoid possible equipment damage, personal injury or fire, do not connect the water heater to a fuel type not in accordance with the portable tankless water heater data plate; propane for propane portable tankless water heaters and natural gas for natural gas portable tankless water heaters. These portable tankless water heaters are not certified for any other fuel type.
- LP appliances should not be installed below grade (for example, in a basement) if such installation is prohibited by federal, state and/or local laws, rules, regulations or customs.
- Propane or LP gas must be used with great caution. It is heavier than air and will collect first in lower areas making it hard to detect at nose level.
- Before attempting to light the water heater, make sure to look and smell for gas leaks. Use a soapy solution to check all gas fittings and connections. Bubbling at a connection indicates a leak that must be corrected. When smelling to detect a gas leak, be sure to sniff near the floor also.
- It is recommended that more than one method, such as soapy solution, gas detectors, etc., be used to detect leaks in gas applications.

**Notice: If a gas leak is present or suspected:**

- **DO NOT attempt to find the cause yourself.**
- **DO NOT try to light any appliance.**
- **DO NOT touch any electrical switch.**
- **DO NOT use any phone in your building.**
- **Leave the house immediately and make sure your family and pets leave also.**
- **Leave the doors open for ventilation and contact the gas supplier, a qualified service agency or the fire department.**
- **Stay away from the house (or building) until the service call has been made, the leak is corrected and a qualified agency has determined the area to be safe.**

PLEASE NOTE: THIS MODEL IS NOT RECOMMENDED NOR HAS IT BEEN TESTED FOR ANY PERMANENT INSTALLATIONS. THIS MODEL IS PART OF OUR PORTABLE SERIES AND NEEDS TO BE TAKEN DOWN AND STORED IN A WARM DRY PLACE AFTER EVERY USE. THIS MANUAL AND ALL ECCOTEMP CONTENT IS SUBJECT TO CHANGE WITHOUT NOTICE.





## **! ADDITIONAL WARNINGS**

- 1. Do not leave unattended.**
- 2. The exhaust gas and top of the portable tankless water heater is HOT! Do not place hands or any foreign object near the top of the heater.**
- 3. Do not use in high wind conditions.**
- 4. If the smell of gas is detected, turn off the gas valve at the tank immediately! Do not use flame for leak detection.**
- 5. Use only Liquid Propane.**
- 6. Use only outdoors.**
- 7. Do not over tighten the gas regulator connection to the portable tankless water heater with a wrench. This may cause a crack in the gas regulator.**

## **The Purpose and Benefits the L10**

The Eccotemp L-10 is a liquid propane fired water heater capable of delivering 7.5 to 10 liters per minute of hot water almost anywhere. The portable tankless water heater has standard 1/2" NPT pipe fittings and an adapter for using a standard garden hose for inlet water supply.

The L10 is not a toy. People around the world use similar portable tankless water heaters to heat the water around their homes, safely, and reliably.

Gas is supplied from a standard propane cylinder (not included) such as used with outdoor grills. A regulator with hose is furnished with the heater.

You may also plumb it in to existing water lines and using a low pressure LP gas regulator. Check local codes for proper installation.

The portable tankless water heater includes a stainless steel rain cap that helps protect it for outdoor usage.

Ignition is automatic and powered by 2 "D" cell batteries (not included). Burners come on when water flows, and off when the water is shut off. No pilot light.

PLEASE NOTE: THIS MODEL IS NOT RECOMMENDED NOR HAS IT BEEN TESTED FOR ANY PERMANENT INSTALLATIONS. THIS MODEL IS PART OF OUR PORTABLE SERIES AND NEEDS TO BE TAKEN DOWN AND STORED IN A WARM DRY PLACE AFTER EVERY USE. THIS MANUAL AND ALL ECCOTEMP CONTENT IS SUBJECT TO CHANGE WITHOUT NOTICE.



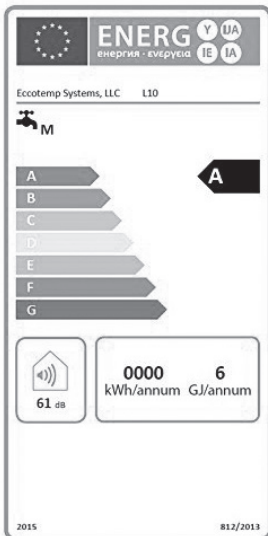
## Functions and Features

- Water controlled automatic ignition: Water pressure between 20-80 PSI and 2.9-3.8 LPM opens the ignition circuit for easy and convenient operation.
- Auto-cut-off protection: The auto-cut-off protection will shut the gas supply off immediately in the event of flameout to reduce the risk of gas leakage.
- Removable drain valve to avoid water pipe and regulator damage caused by freezing water\*.
- Anti-dry combustion protection: The portable tankless water heater will shut off the gas supply in the event water stops flowing through the portable tankless water heater.

**\*Read the maintenance section on draining the portable tankless water heater entirely to avoid freeze issues**

TEMPERATURE INCREASE PER LPM					
MODEL	Gas Setting	5.5 LPM	7.5 LPM	9.5 LPM	11 LPM
L10 Portable	Highest °	53 °	27 °	18 °	14 °
	Lowest °	19 °	9 °	6 °	5 °

\*Temperature increases listed are based on use of the water heater under optimal conditions. Variable factors such as incorrect or imperfect installations and varying incoming water temperatures may yield different results.

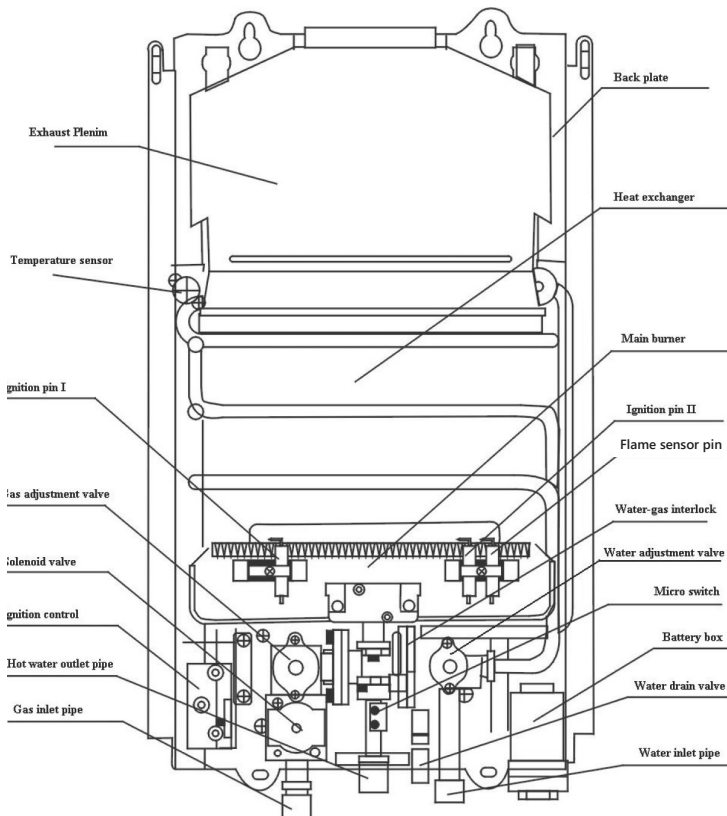


TECHNICAL SPECIFICATIONS - PORTABLE	
Fuel Type	LPG (Liquid propane gas)
Model	L10
Ignition	Electric Pulse, D cell Battery Powered  (No electrical connection required)
Protections	Auto-cut off water control, automatic ignition, anti-dry combustion protection, over-pressure overheating and flameout protection
Dimensions	38 x 16.5 x 89 cm
Pipe Fittings	1/2" BSP, incoming/outgoing water & gas
Additional Technical Specification	See page 13.

PLEASE NOTE: THIS MODEL IS NOT RECOMMENDED NOR HAS IT BEEN TESTED FOR ANY PERMANENT INSTALLATIONS. THIS MODEL IS PART OF OUR PORTABLE SERIES AND NEEDS TO BE TAKEN DOWN AND STORED IN A WARM DRY PLACE AFTER EVERY USE. THIS MANUAL AND ALL ECCOTEMP CONTENT IS SUBJECT TO CHANGE WITHOUT NOTICE.



# Construction and parts for the L10



## Important notes:

Normal use and care of the unit does not require removal of the cover. Cover should be securely in place prior to operation of the unit. Only remove the cover of the unit at the direction of troubleshooting or support. Sealed individual components do not contain user servicable parts, not open or modify any individual component.

PLEASE NOTE: THIS MODEL IS NOT RECOMMENDED NOR HAS IT BEEN TESTED FOR ANY PERMANENT INSTALLATIONS. THIS MODEL IS PART OF OUR PORTABLE SERIES AND NEEDS TO BE TAKEN DOWN AND STORED IN A WARM DRY PLACE AFTER EVERY USE. THIS MANUAL AND ALL ECCOTEMP CONTENT IS SUBJECT TO CHANGE WITHOUT NOTICE.





## Getting Started

1. Check box for damage. Damages caused in shipment must be reported immediately.
2. Make sure you have all the parts.

Please note: Included parts and accessories may vary depending on county and regulations.



qty. 1 -  
Water heater



qty. 1 -  
Hardware pack



qty. 1 -  
1/2" NPT to garden  
hose adapter



qty. 1 - 1/2"  
Compression Fitting  
(Not available in all countries)



qty. 1 - Gas  
hose  
and regulator

3. If using a standard garden hose, attach the 3/4" NPT to garden hose adapter to the fitting marked 'Water Input'. Use Sealant tape or other approved sealing method on the threads for a secure, water tight fit. Check to make sure the screen inside the water inlet is in place and clean. Then attach your water input/garden hose.
4. Install gas supply line and regulator to the portable tankless water heater. **DO NOT OVER TIGHTEN. OVER TIGHTING MAY CRACK THE GAS REGULATOR CAUSING A GAS LEAK!** Check for any gas smell before ignition! Make sure it is screwed all the way on.
5. Attach the water output to the fitting marked 'Water Outlet.' Do not over tighten.
6. Install two "D" cell batteries in the compartment on the bottom left of the heater. Check that batteries are facing the correct direction.
7. Use the top tab on the portable tankless water heater to suspend from a mounted screw capable of holding 15 kilograms. Place at a comfortable height without putting stress on the gas hose.

### With 1/2" compression fitting adapter

8a. If your water heater comes with the 1/2" compression fitting adapter first attach the adapter to the gas input pipe using 2 wrenches, one on the gas inlet pipe holding it in place and the other on the adapter tightening it in place. Next, attach the gas regulator hose to the LP tank using a wrench to tighten. Finally use a wrench to hold the adapter that's connected to the water heater in place and connect the end of the regulator hose to the adapter using another wrench. After connecting it's imperative you inspect for gas leaks. See page 3 for instructions on how to test for leaks.

### Without compression fitting

8b. Attach the gas regulator hose to the LP tank and tighten the connection using a wrench. Next attached the other end of the regulator hose to the gas inlet pipe on the water heater. Use a wrench to hold the gas inlet pipe coming out of the water heater in place and use another wrench to tighten the hose connection to the gas inlet pipe. After connecting it's imperative you inspect for gas leaks. See page 3 for instructions on how to test for leaks.

## WARNING!

### GAS HOSE ADAPTER

THE L5, & L10 PORTABLE TANKLESS WATER HEATERS HAVE A 1/2" TO 1/4" LH ADAPTER IN THE HARDWARE PACK FOR ATTACHMENT OF THE LP HOSE TO THE HEATER.

THIS ADAPTER MUST BE INSTALLED WITH THREAD SEALANT, A SPOOL OF SEALANT TAPE IS INCLUDED WITH THE HEATER.

MULTIPLE WRAPS OF SEALANT TAPE MAY BE NECESSARY TO ASSURE COMPLETE SEAL.

ALWAYS CHECK FOR GAS LEAKS BEFORE USING HEATER.

PLEASE NOTE: THIS MODEL IS NOT RECOMMENDED NOR HAS IT BEEN TESTED FOR ANY PERMANENT INSTALLATIONS. THIS MODEL IS PART OF OUR PORTABLE SERIES AND NEEDS TO BE TAKEN DOWN AND STORED IN A WARM DRY PLACE AFTER EVERY USE. THIS MANUAL AND ALL ECCOTEMP CONTENT IS SUBJECT TO CHANGE WITHOUT NOTICE.



## Before going to the USE section:

Check around area for flammables, especially gasoline or other vapors which may ignite. The Exhaust and top of the portable tankless water heater will get HOT! Make sure there are no foreign objects around the portable tankless water heater or have fallen into the top.

Ensure that the unit is at least 60cm off the ground and equally removed from any inflammable materials. Always use the mounting tab on the back of the unit, this will ensure the proper 1cm spacing between the unit and a wall or post sensitive to heat. Ensure that no obstruction or projection reduces the space between the unit and the wall or post to less than 1cm.

---

## Use and Starting

**Warning: This model is intended for recreational & portable use only. This model CANNOT be permanently mounted or plumbed in any way.**

1. Turn on incoming water supply. Ensure that you have adequate water pressure of between 40-50 PSI / 2.7 - 3.4 bar.
2. Turn your water output device to its "off" position.
3. Turn the gas valve on the cylinder all the way open.
4. IF THE SMELL OF GAS IS DETECTED, TURN OFF THE GAS VALVE IMMEDIATELY!!
5. Set the water regulator knob on the face of the portable tankless water heater to its highest setting.
6. Set the gas regulator knob on the face of the portable tankless water heater to its minimum setting.
7. Turn on your water output device to the "on" position and adjust to the desired water flow.
8. There will be a series of audible clicks and the burner will ignite. Should the burner not ignite after 5 seconds, shut off and go to the "Trouble Shooting" section.
9. Upon completion of use or storage, open the drain valve (ribbed cylindrical stem next to the water input valve) to ensure draining of water.
10. Turn off your gas supply.
11. WARNING: If the outside temperature is around or below freezing (32 degrees F, 0 degrees C), ensure that the drain valve is opened and water drained from the portable tankless water heater after each use to avoid internal damage to the water regulator. You will also need to unhook the outgoing water line to ensure that any water in the heat exchanger is drained. Failure to properly drain your portable tankless water heater will cause water damage which may or may not be repairable. Please check the warranty information found on our website at [www.eccotemp.com/freeze](http://www.eccotemp.com/freeze) for more information on freezing issues.

PLEASE NOTE: THIS MODEL IS NOT RECOMMENDED NOR HAS IT BEEN TESTED FOR ANY PERMANENT INSTALLATIONS. THIS MODEL IS PART OF OUR PORTABLE SERIES AND NEEDS TO BE TAKEN DOWN AND STORED IN A WARM DRY PLACE AFTER EVERY USE. THIS MANUAL AND ALL ECCOTEMP CONTENT IS SUBJECT TO CHANGE WITHOUT NOTICE.



## Adjustment

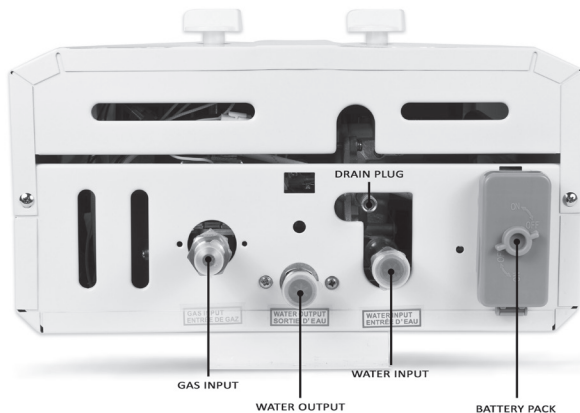
The temperature of the outgoing water is dependent on the temperature of the incoming water balanced with the amount of heat applied. Use extreme caution in setting the outlet water temperature.

1. With the water regulator set to high, and the gas regulator set to low, feel the outgoing water. This is the lowest setting available.
2. To initially raise the outgoing temperature, slowly turn the gas valve towards maximum. Adjust slowly and check the temperature often. There will be a slight delay between increasing the gas supply and the increase in water temperature.
3. Should the outlet water temperature need to be higher, slowly reduce the water flow regulator until desired temperature is reached.

(Warning: Do not alter or change this water heater's original temperature sensor)

---

## WARNING: THE PORTABLE TANKLESS WATER HEATER IS CAPABLE OF PRODUCING SCALDING WATER TEMPERATURES!



PLEASE NOTE: THIS MODEL IS NOT RECOMMENDED NOR HAS IT BEEN TESTED FOR ANY PERMANENT INSTALLATIONS. THIS MODEL IS PART OF OUR PORTABLE SERIES AND NEEDS TO BE TAKEN DOWN AND STORED IN A WARM DRY PLACE AFTER EVERY USE. THIS MANUAL AND ALL ECCOTEMP CONTENT IS SUBJECT TO CHANGE WITHOUT NOTICE.



# DO NOT RETURN TO STORE

**Please contact us via the technical support information on page 14 if you have any problems.**

---

## Troubleshooting

Portable tankless water heater will not start – there are no audible clicks at startup:

- The first thing to check is to ensure that the incoming water on the “right” side of the portable tankless water heater. If the incoming and outgoing are reversed, the portable tankless water heater will not work. The incoming is on the far right and the outgoing is in the middle.
- Check to make sure you have fresh batteries and they are installed in the correct position.
- Number one reason that the portable tankless water heater does not ignite is that there is not enough water pressure. You need a minimum of 10 PSI / 0.7 bar, sustained. Municipal water should supply enough water pressure. Most 12/18/120/240 pumps well as long as they are capable of delivering pressure of 10 PSI / 0.7 bar or greater.

**ADJUSTMENT:** Looking up at the bottom of the portable tankless water heater, you will see two “slits” in the case where the front and back come together. Locate the water regulator where you will see two Phillips head screws. Take the screw that is furthest on the right (larger screw) in about a ¼ or ½ turn. This will enable the portable tankless water heater to operate on a lower water pressure by restricting flow.

**NOTE:** Before attempting to remove the cover, call technical support at the number on page 11.

- A wire has become disconnected inside the portable tankless water heater during shipping. Make sure the gas is OFF. The front cover is held by six screws, four on top, two on bottom. The knobs pull off. All the wiring is done with push together plastic connectors. They are all visible without further dismantling of the portable tankless water heater. It should be obvious when a wire has become disconnected.
- It is possible that some debris or epoxy might have entered the water regulator. Check to see if the filter screen on the water inlet is clear of debris. You can also reverse the hookup by taking your water source and hooking it up to the water outlet side and back flushing the system.
- Propane gas cylinders sometimes are contaminated with air, especially new tanks upon their first filling. Cycle the portable tankless water heater turning off and on your output flow or similar. Does not include a shower head.

Should a portable tankless water heater fail to light or stay lit after 10 cycles, please visit our helpdesk located at [gb.eccotemp.com](http://gb.eccotemp.com) for additional troubleshooting steps.

Portable tankless water heaters starts, then shuts off:

- If the Rain cap is blocked, or not long enough, the portable tankless water heater will shut off after a few minutes.
- The portable tankless water heater requires a minimum of about 0.75 gallons per minute (2 liters) and a minimum of about 20 PSI / 1.4 bar. Note: water pressure is at the lower end of operating parameters. You will need a sustained water pressure of approximately 40-60 PSI / 2.7-4.1 bar for adequate use if you are using a 12/18/120/240 volt pump. See ADJUSTMENT in previous section above.

**PLEASE NOTE: THIS MODEL IS NOT RECOMMENDED NOR HAS IT BEEN TESTED FOR ANY PERMANENT INSTALLATIONS. THIS MODEL IS PART OF OUR PORTABLE SERIES AND NEEDS TO BE TAKEN DOWN AND STORED IN A WARM DRY PLACE AFTER EVERY USE. THIS MANUAL AND ALL ECCOTEMP CONTENT IS SUBJECT TO CHANGE WITHOUT NOTICE.**



## Troubleshooting Continued...

- c. Out of, or low on gas. Propane gas cylinders sometimes are contaminated with air, especially new tanks upon their first filling. Cycle the portable tankless water heater on and off by using the shower head switch several times (5) to purge the air from the gas. If this doesn't clear the air then the tank must be purged.
- d. One of the ignition sensors is bent and/or too close to the burner. Look to ensure that the ignition pins and the heat sensor are completely vertical and they do a 90 degree to the back of the box. If they are not straight (i.e. a 45 degree angle) then you can straighten them with pliers.
- e. The thermocouple is either too high or too low to complete the circuit. Check to ensure that the thermocouple is flush with the hole in the heat exchanger.
- f. The gas sensor wire (looks like a black ground wire on the gas regulator) flange might have come loose or is no longer connected.
- g. There is a faulty heat sensor. This is usually diagnosed by taking the front case off of the portable tankless water heater and let it run. If it continues to operate, then one of the sensors and/or the wire harness needs to be replaced. This may also be caused by insufficient clearance on the back of the portable tankless water heater where the majority of air intake is.
- h. The valve on the propane tank should be all the way "Open".
- i. Fresh batteries are required for ignition spark. Make sure batteries are aligned in the proper polarity (+/-).

### The water does not get hot enough:

- a. You are operating the portable tankless water heater above 4,000 feet / 1,000 meters. We only recommend using it below elevations of 4,000 to 5,500 feet.
- b. Look into the viewer panes (middle horizontal windows on the front cover) to see if there is a blue flame. If the flame is yellow there could be a cracked gas regulator. Do Not Attempt to use the portable tankless water heater and call us at the number on page 14.  
Water is flowing, but there is no hot water coming out:
  - a. Ensure that you have the incoming water supply and the outgoing water supply hooked up properly. Your water supply should be attached to your incoming connection (located on the far right) and the shower handle should be attached to the outgoing water (located as the center connection).
  - b. Ensure that you have adequate water pressure of at least 20 PSI / 1.38 bar, sustained.
  - c. Ensure that you have adequate gas in your propane bottle and that the LP regulator is threaded all of the way on to the portable tankless water heater.
  - d. Fresh batteries are required for ignition spark. Make sure batteries are aligned in the proper polarity (+/-).

If you are still having troubles or are on a modified water system, please visit our helpdesk located at [gb.eccotemp.com](http://gb.eccotemp.com) for additional troubleshooting steps.

### The portable tankless water heater does nothing:

- a. Ensure that you have your water source hooked up to the water inlet side (far right connection) and the shower handle is hooked up on the water outlet side (middle connection).
- b. Ensure that you have an adequate supply of propane.
- c. Ensure that you have fresh batteries.

If you are still having troubles or are on a modified water system, please call technical support at the number listed on page 14.

PLEASE NOTE: THIS MODEL IS NOT RECOMMENDED NOR HAS IT BEEN TESTED FOR ANY PERMANENT INSTALLATIONS. THIS MODEL IS PART OF OUR PORTABLE SERIES AND NEEDS TO BE TAKEN DOWN AND STORED IN A WARM DRY PLACE AFTER EVERY USE. THIS MANUAL AND ALL ECCOTEMP CONTENT IS SUBJECT TO CHANGE WITHOUT NOTICE.



## Technical Support

### For Technical Support Please Contact:

Eccotemp Systems LLC

**Web:** [eu.eccotemp.com](http://eu.eccotemp.com)

**E-mail:** [Support@eccotemp.com](mailto:Support@eccotemp.com)

**Phone:** 1.866.356.1992

**Address:** 315 - A Industrial RD.  
Summerville, SC 29483

---

## Technical Data



0063-19

PIN NO: 0063CR7706

---

## WARNING

### Read the technical instructions before installation and use.

- Read instructions before use.
- For outdoor use only.
- Warning: Accessible parts may be very hot, keep young children away.
- Never move it during operation. Wait for 7 minutes after extinguishing the flame before moving.
- Check the gas type before you connect it to the water heater, improper gas will cause serious danger.
- This heater is not to be used in wind speeds above 10 kph. The heater will extinguish at wind speed above 10 kph. The feature is governed by safety fitted to the appliance.
- This appliance must not be used in enclosed areas, for example under awnings or tents.
- The appliance must be hung correctly before use. Never use the appliance placed on the ground.
- This appliance must be installed in accordance with any natural surrounding features to protect it from direct winds.

PLEASE NOTE: THIS MODEL IS NOT RECOMMENDED NOR HAS IT BEEN TESTED FOR ANY PERMANENT INSTALLATIONS. THIS MODEL IS PART OF OUR PORTABLE SERIES AND NEEDS TO BE TAKEN DOWN AND STORED IN A WARM DRY PLACE AFTER EVERY USE. THIS MANUAL AND ALL ECCOTEMP CONTENT IS SUBJECT TO CHANGE WITHOUT NOTICE.



<b>MODEL: CEL10</b>				
Country of Destination	BE, FR, GB, GR, IE, IT, PT, ES, CH	CY, CZ, DK, EE, FI, LT, MT, NL, NO, SK, SI, SE, HU, BG, LV, LU, RO	DE, AT, CH, SK	PL
Appliance Categories	I3+	I3B/P30	I3B/P50	I3B/P37
Type of gas	G30/G31	G30	G30	G30
Supply pressure (mbar)	28-30/37	30	50	37
Min gas pressure (mbar)	20	25	42	25
Max gas pressure (mbar)	35	35	57	45
Injector Size (mm)	0.60	0.60	0.50	0.54
Applicable water pressure (MPa)	0.025-0.100			
Nominal Heat Input (kW)	16 (kW)			
Minimum Heat Input (kW)	8 (kW)			
Nominal Useful Output (kW)	14 (kW)			
Appliance Type	A1			
Load Profile	M			
Efficiency Class	A			
Efficiency %	77.6%			
Annual Fuel Consumption	6 GJ			
Annual Electrical Consumption	0 kWh			
NOx	59 mg/kWh			
Thermostat (max)	70°C			
Sound Power Level	61dB			

PLEASE NOTE: THIS MODEL IS NOT RECOMMENDED NOR HAS IT BEEN TESTED FOR ANY PERMANENT INSTALLATIONS. THIS MODEL IS PART OF OUR PORTABLE SERIES AND NEEDS TO BE TAKEN DOWN AND STORED IN A WARM DRY PLACE AFTER EVERY USE. THIS MANUAL AND ALL ECCOTEMP CONTENT IS SUBJECT TO CHANGE WITHOUT NOTICE.



PLEASE NOTE: THIS MANUAL IS SUBJECT TO CHANGE AT ANYTIME, TO ENSURE THIS MANUAL IS UP TO DATE  
PLEASE VISIT OUR HELPDESK AT [WWW.ECCOTEMP.COM](http://WWW.ECCOTEMP.COM) FOR ALL OF OUR PRODUCT MANUALS.



**ECCOTEMP**  
THE FUTURE OF EFFICIENCY

PHONE: 866-356-1992 | EMAIL: [SUPPORT@ECCOTEMP.COM](mailto:SUPPORT@ECCOTEMP.COM) | ADDRESS: 315 - A INDUSTRIAL RD SUMMERVILLE, SC 29483

 **SUPPORT:** [ECCOTEMP.COM/HELP-DESK](http://ECCOTEMP.COM/HELP-DESK)  **SHOP ONLINE:** [ECCOTEMP.COM/PRODUCT](http://ECCOTEMP.COM/PRODUCT)  **STORE LOCATOR:** [ECCOTEMP.COM/LOCATOR](http://ECCOTEMP.COM/LOCATOR)

[ECCOTEMP.COM](http://ECCOTEMP.COM)      

